

Product Manual

Model: BW-CZ
Portable Ozone Generator

Product Picture



Technical Parameters

Product Name	Ozone generator				
Type	Portable				
Ozone Output(g/h)			20		40
Rated Power(W)			120		220
Ozone concentration(mg/L)	15-20				
Gas Feeding	Dry atmosphere air				
Control Type	Manual timer, 0-90min				
Power Input	AC110-220V/50-60Hz				
Cooling Type	Air cooling				
Unit size (mm)	275*185*150				
Packing size (mm)	355*215*200				
Weight(kg)			2.90		3.30
Materials	Iron plate coating				
Color	White, Black, Yellow				
Working condition	Environment temperature $\leq 45^{\circ}\text{C}$, RH $\leq 80\%$				
Applications	Shopping malls, Hotels, Restaurants, Offices, Houses				

Product description

1. The ozone generator adopts the international advanced electrolytic oxygen technology, and the ozone produced has super disinfection and sterilization function and oxygen increasing function.
2. Use environment
 - a. installation location: flat ground, no open water, or sparks within 50cm, more than 50cm away from the wall, no blocking space around, good ventilation and heat dissipation.
 - b. The ventilation environment must be good, and the installed part shall be free from direct sunlight.
 - c. Input power: AC110V/220V, 50/60Hz, grounded well

Product Application

1. Hotel room disinfection, car disinfection, office disinfection, hotel disinfection, etc.
2. Production workshop sterilization, sheet disinfection, ward disinfection, school kindergarten disinfection, etc.
3. Mushroom culture prevents bacterial infection.
4. Food processing plant sterilization and preservation dispel odor.

Sterilization Ability

Ozone has strong oxidation, has been the world recognized as a kind of broad-spectrum efficient fungicides, ability than its oxidation of chlorine, sterilization, 600-3000 times faster than the chlorine in the water, and even can kill bacteria, within a few seconds for the common E.coli, streptococcus faecalis, pseudomonas aeruginosa, staphylococcus aureus, mould, etc., keep the environment 0.3 PPM concentrations of ozone in 5 minutes, the killing rate can reach more than 99%.Its sterilization and disinfection effects occur almost instantaneously. When ozone concentration in water reaches 0.3-2ppm, bacteria can be killed within 0.5-1min.The dose of ozone water required to achieve the same sterilization effect (e.g., 99% of Escherichia coli kill rate) is only 0.0048% of that of chlorine.

Operation instruction

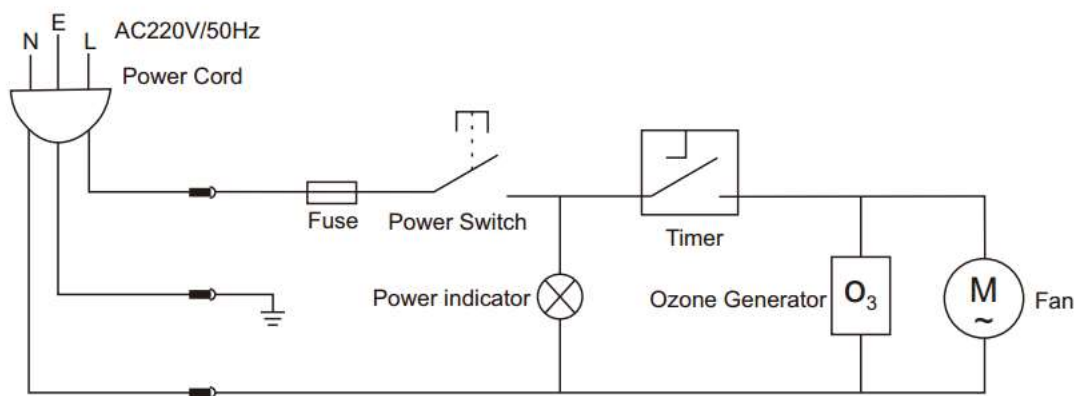
1. Place the ozone generator in a specific (stable, well-ventilated and well-cooled) position in the room to be sterilized.

2. In order to achieve the best ozone disinfection effect, please close the doors and windows, etc. No personnel in the room during disinfection.
3. Switch on the power supply, open the socket switch, rotate the timing switch clockwise to the required time scale of sterilization (or rotate the timing switch anticlockwise to the normal open position), and the equipment will start working.
4. Ozone output is available at the ozone outlet. When the timer goes to zero, the device stops automatically.

Resolving time

1. Ozone is easily soluble in water. After being dissolved in water, ozone has a stronger bactericidal and disinfection ability, whose bactericidal force is up to 3000 times that of chlorine gas.
2. The half-life of ozone in water is about 20 minutes, and that in air at room temperature and pressure is about 10-30 minutes. Finally, ozone is reduced to oxygen.
3. Ozone is a safe, non-residual oxidant and disinfectant, will not cause secondary pollution. Ozone can be rapidly reduced to oxygen by the reaction itself, so no need to worry about chemical residues and no threat to the living environment.

Product Structure



1. Ozone Tube
2. High frequency high voltage power supply: rectifier converter circuit, ignition coil by the iron core, iron oxide composite layer of polyester imide/polyamide imide enameled wire, high temperature vacuum potting glue, epoxy with open circuit protection, over current protection,

over-voltage protection, short circuit protection, high frequency 3-20 KHZ, sine wave output waveform, heavily converts electrical energy, power factor can reach 0.97

Working Principle

1. When the oxygen-containing gas passes through the discharge gap between the two electrodes, part of the oxygen-containing gas (O₂) will be converted into ozone (O₃) to achieve ozone preparation. When high voltage electrode with high voltage can be change, the discharging gap between electrodes can produce micro discharge, the oxygen atoms of oxygen molecules are broken down as the free state O, part of the free state of oxygen and decomposition of oxygen molecules to generate ozone (O₃) $O + O_2 = O_3$, known as "corona discharge" or "silent discharge. In fact, only a portion of the electrical energy applied to the electrodes is used to produce ozone, which also generates heat and requires a fan to cool the ozone-generating module.
2. Ozone is a broad-spectrum fungicide, which has a strong killing effect on all kinds of bacteria and viruses. Ozone has strong oxidation, catalytic effect, such as viruses and bacteria due to a variety of the role of free radicals in the ozone gas, make the dissociation of protein denaturation, nucleic acid and enzyme activity is reduced, thus purify air disinfection sterilization, ozone and formaldehyde, xylene and other poisonous and harmful gas is degraded, complicated physical and chemical reactions such as oxidation, and being harmless by-products, avoid secondary pollution.

Safety Instructions

1. The power supply is AC110/220V,50/60Hz. Make sure the plug is inserted firmly. If the plug is loose, it may cause electric shock, overheating or fire.
2. Never plug or unplug the power plug when your hands are wet. Otherwise, it may cause overheating, electric shock or fire.
3. During air purification, avoid people inhaling too much ozone gas for a long time. Persons must leave the disinfected area and enter the room one hour after the disinfection.
4. The air inlet and outlet of indoor air disinfection machine must not be blocked.
5. It is strictly forbidden to move the machine when it is working. When not in use, please unplug it in time.
6. Please do not disassemble the machine without authorization. Please find a professional when repairing.
7. The power socket must be well grounded!

Troubleshooting

1. If there is a leakage accident, stop using it immediately and ask a professional to inspect and repair it;
2. When the product cannot run, first confirm whether it is powered on, whether the power switch is on, whether the indicator light is on, whether the timer is on, and if it is still not running, please find a professional to check and repair.